

Door Closers Concealed In The Floor



Model 27 (Offset Hung) and **Model 28** (Center Hung) install in the concrete beneath the surface of the floor for total concealment. They feature heavy-duty hydraulic mechanism for reliable, consistent performance. Both models are single acting (opening in one direction only).

Both models come complete with a bottom arm, top pivot, cement case, and floor plate. Intermediate pivots are recommended for total door alignment on offset hung models.



Specify “PH” prefix to meet **A.D.A.** requirements on interior doors for any model listed below. **PH27** and **PH28** are designed specifically to meet handicapped requirements.

Standard closers features: separate hydraulic latch, stroke and backcheck adjusting valves, and built-in positive dead stop to exceed ANSI Grade 1 Standards.

No. 27



No. 28



OFFSET HUNG MODEL 27

Installed to provide a pivot point $\frac{3}{4}$ " from the face of the door and $\frac{3}{4}$ " from the heel edge of the door.

- Single acting, handed

Model Number	Best Suited For...	Maximum Door Weight	Degree of Opening & Dead Stop	Special Features Available
27	Heavy-traffic doors	450 lbs.	85°, 90°, 95°, 105°	Selective, automatic, or non-hold open
27DA	Heavy-traffic doors	450 lbs.	85°, 90°, 95°, 105°	Adjustable delay from 90° to 70°
F27	Labeled fire doors	450 lbs.	85°, 90°, 95°, 105°	Non-hold open
FHM27	Labeled fire doors	250 lbs.	90°, 105°	Butt hung ($\frac{3}{4}$ " offset)
HM27	Hollow metal doors	250 lbs.	90°, 105°	Butt hung ($\frac{3}{4}$ " offset)
L27	Lead-lined or extra-heavy doors	1,500 lbs.	85°, 90°, 95°, 105°	Selective, automatic, or non-hold open
PH27	Barrier-free entrances	450 lbs.	85°, 90°, 95°, 105°	Meets ANSI handicapped requirements for interior door opening
Q27	Heavy-traffic doors	350 lbs.	85°, 90°, 95°, 105°	Closer removable without demounting door-side jamb M19 pivot included

CENTER HUNG MODEL 28

Installed $2\frac{3}{4}$ " from the door frame.

- Single acting, handed

Model Number	Best Suited For...	Maximum Door Weight	Degree of Opening & Dead Stop	Special Features Available
28	Heavy-traffic doors	300 lbs.	85°, 90°, 95°, 105°	Selective, automatic, or non-hold open
28DA	Heavy-traffic doors	300 lbs.	85°, 90°, 95°, 105°	Adjustable delay from 90° to 70°
428	Tempered-glass doors with patch fittings	300 lbs.	85°, 90°, 95°, 105°	Selective, automatic, or non-hold open
328	Extra-heavy doors	1,000 lbs.	85°, 90°, 95°, 105°	Selective, automatic, or non-hold open
PH28	Barrier-free entrances	300 lbs.	85°, 90°, 95°, 105°	Meets ANSI handicapped requirements for interior door opening



Top Notch Distributors, Inc.

Serving North America

Pennsylvania
800-233-4210
Fax: 800-854-4146

Missouri
800-211-4607
Fax: 800-211-4608

Nevada
800-722-4210
Fax: 800-248-3620

Texas
866-693-6903
Fax: 866-693-6904

www.topnotch.bz • sales@topnotch.bz

Pivots and Pivot Sets

Offset Hung Top Pivots



Pivot sets have been recognized for years as the best way to hang a door because the weight of the door is supported by the floor, instead of the door frame. Pivot sets are available for doors weighing up to 1,500 pounds. (Intermediate pivots must be used with the **F SERIES** and are recommended for all applications.)

Pivot sets include both top and bottom pivots. Intermediate pivots are recommended for offset applications.

Pivots for electric power transfer and door position indicators are available for both offset and center hung applications.

OFFSET HUNG TOP PIVOT

180

- Standard top pivot for most offset pivot sets.
- Full mortise, non-handed.



Available for fire door assemblies (ferrous material) – specify F180-1 1/2" OFFSET.

3/4" OFFSET HUNG PIVOT SETS

117

- Interior doors.
- Weight to 300 lbs.
- Door width up to 3'6" (1067 mm).
- Mounts directly to floor surface.
- Handed.



Available for fire door assemblies up to three hours. Specify **F117**.

Intermediate pivot required by UL. Specify **FM19**.

117 1/4

- Interior doors.
- Weight to 250 lbs.
- Door width up to 3'6" (1067 mm).
- Bottom pivot mortised into side jamb.
- Handed.



117 1/2

- Heavy-traffic exterior or interior doors.
- Weight to 650 lbs.
- Door width up to 4'0" (1219 mm).
- Mounts directly to floor surface.
- Handed.



Available for fire door assemblies up to three hours (ferrous material). Specify **F117 1/2**.

Intermediate pivot required by UL. Specify **FM19**.

147

- Heavy-traffic exterior door width up to 3'0" (914 mm).
- Extra-heavy interior doors width up to 3'6" (1067 mm).
- Maximum door weight to 600 lbs.
- Mounts directly to floor surface.
- Handed.



Available for fire door assemblies up to three hours (ferrous material). Specify **F147**.

Intermediate pivot required by UL. Specify **FM19**.

Serving North America

Pennsylvania
800-233-4210
Fax: 800-854-4146

Missouri
800-211-4607
Fax: 800-211-4608

Nevada
800-722-4210
Fax: 800-248-3620

Texas
866-693-6903
Fax: 866-693-6904

Pivots and Pivot Sets

Offset Hung Top Pivots



3/4" OFFSET HUNG PIVOT SETS

195

- Heavy-traffic exterior or interior doors.
- Weight to 450 lbs.
- Door width up to 4'0" (1219 mm).
- Bottom pivot mortised into side jamb.
- Handed.



L117

- Exterior or interior doors.
- Lead-lined/heavy/high-traffic doors.
- Weight to 1,750 lbs.
- Door Width up to 4'0" (1219 mm).
- Bottom pivot mortised into floor.
- Handed.



Available for fire door assemblies up to three hours for 1³/₄" (44 mm) doors only. Specify **FL117**.

Intermediate pivot required by UL. Specify **FML19**.

L147

- Exterior or interior doors.
- Lead-lined/heavy/high-traffic doors.
- Weight to 1000 lbs.
- Door width up to 3'6" (1067 mm).
- Mounts directly to floor surface.
- Handed.



Available for fire door assemblies up to three hours for 1³/₄"(44 mm) doors only (ferrous material). Specify **FL147**.

Intermediate pivot required by UL. Specify **FML19**.

INTERMEDIATE OR SIDE JAMB OFFSET HUNG PIVOTS

M19

- Full mortise.
- Handed.
- Not load-bearing.
- Maintains door alignment.



Available for fire door assemblies (ferrous material). Specify **FL19**.

ML19

- Full mortise.
- Lead-lined/heavy/high-traffic doors.
- Handed.

Available for fire door assemblies – 1³/₄" (44 mm) door only. Specify **FML19**.

SPECIAL APPLICATIONS

F519

- Pocket door pivot.
- Non-handed.
- UL-listed for all labeled fire-door assemblies up to and including three hours.



Top Notch Distributors, Inc.

Serving North America

Pennsylvania
800-233-4210
Fax: 800-854-4146

Missouri
800-211-4607
Fax: 800-211-4608

Nevada
800-722-4210
Fax: 800-248-3620

Texas
866-693-6903
Fax: 866-693-6904

www.topnotch.bz • sales@topnotch.bz

Pivots and Pivot Sets Center Hung Top Pivots



117^{3/4}

- Exterior or interior doors.
- Weight to 600 lbs.
- Door sizes up to 4'0" x 8'6" (1219 x 2591 mm).
- Non-handed.
- Standard top pivot **340** included.
- Pivot set is fully concealed.
- Bottom pivot is mortised into floor .



340

- Fully concealed.
- Non-handed.
- Standard top pivot for models **370** and **117^{3/4}** pivot sets.



Also used for **28 SERIES** floor closers.

127^{3/4}

- Interior doors.
- Weight to 200 lbs.
- Door sizes up to 3'6" x 8'6" (1067 x 2591 mm).
- Bottom pivot mortised into side jamb.
- Non-handed.
- Standard top pivot **320** included.



370

- Exterior or interior doors.
- Weight to 500 lbs.
- Door sizes up to 3'8" x 8'6" (1118 x 2591 mm).
- Mounts directly to floor surface.
- Non-handed.



128^{3/4}

- Interior doors.
- Weight to 250 lbs.
- Door sizes up to 3'6" x 8'6" (1067 x 2591 mm).
- Mounts directly to floor surface.
- Non-handed.



H117^{3/4}

- Exterior or interior doors.
- Weight to 1,000 lbs.
- Door sizes up to 4'0" x 8'6" (1219 x 2591 mm).
- Non-handed.
- Standard top pivot **H340** included.
- Pivot set is fully concealed.
- Bottom pivot is mortised into floor.



Serving North America

Pennsylvania
800-233-4210
Fax: 800-854-4146

Missouri
800-211-4607
Fax: 800-211-4608

Nevada
800-722-4210
Fax: 800-248-3620

Texas
866-693-6903
Fax: 866-693-6904

Firemark Series

The Firemark Series of electromagnets is designed specifically to hold fire and smoke barrier doors open until released by a remote smoke detector or other switching device. The complete assembly consists of an armature contact plate with adjustable pivot mounting for installation on the door and a heavy-duty electromagnet mounted on the wall or floor behind the door.

All Firemark Door Holder/Releases are UL- and ULC-listed.

Features

- 25 to 40 pounds holding power.
- Fail-safe operation; power failure releases door to close.
- Positive Release Button initiates closing motion.
- Two-year warranty.
- Multivoltage on specific coil models.
- Magnetic protection against transients and surges up to 600 volts (AC models).



FINISHES

Aluminum (689), Dark Bronze (690), Light Bronze (691), Gold (696).

Model Number	Best Suited for...	Total Projection	Holding Power
990	Wall mounted (concealed wiring)	1 ⁷ / ₈ "	30-40 lbs.
997	Wall mounted (concealed wiring)	2 ¹ / ₂ "	30-40 lbs.
998	Wall mounted (concealed wiring)	3 ¹ / ₂ "	30-40 lbs.
996	Wall mounted (surface wiring)	4"	30-40 lbs.

990

Application: Single door, low profile, wall mounted.

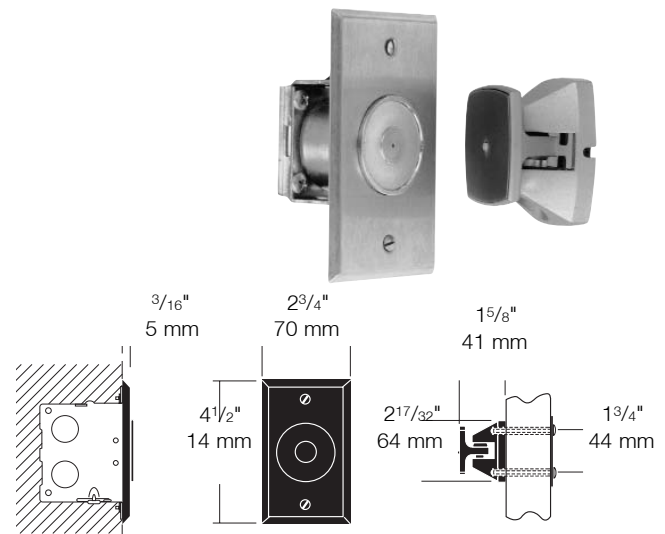
Description: Concealed wiring. 2" x 4" x 2¹/₂" (51 x 102 x 64 mm) outlet box.

Total Projection: 1¹³/₁₆" (46 mm)

Holding Power: 30-40 lbs.

Voltage & Current: 120VAC, 60Hz, .020 amp
 24VAC/DC, 60Hz, .020 amp
 12VDC, .040 amp
 250VAC, 50/60Hz, .009 amp

Finishes: (SA) Sprayed Aluminum (689), (SB) Sprayed Dark Bronze (690), (SLB) Sprayed Light Bronze (691), (SG) Sprayed Gold (696)



Serving North America

Pennsylvania
 800-233-4210
 Fax: 800-854-4146

Missouri
 800-211-4607
 Fax: 800-211-4608

Nevada
 800-722-4210
 Fax: 800-248-3620

Texas
 866-693-6903
 Fax: 866-693-6904

Firemark Series

996

Application: Single door, wall mounted.

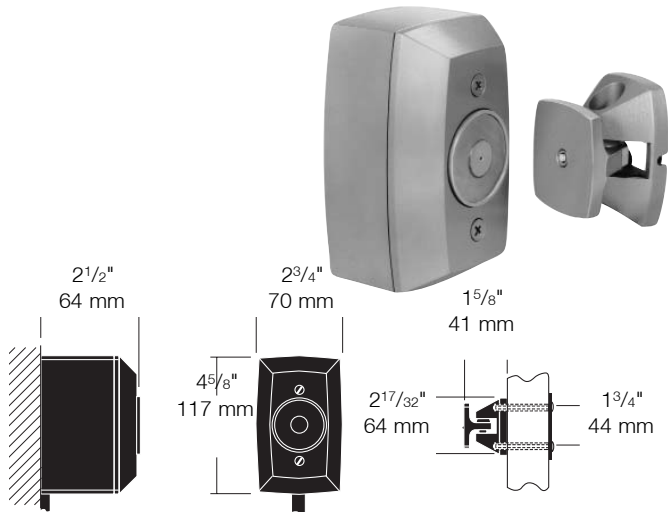
Description: Surface wiring.
1 1/2" (38 mm) deep adapter housing.

Total Projection: 4 1/8" (105 mm).

Holding Power: 30-40 lbs.

Voltage & Current: 120VAC, 60Hz, .020 amp
24VAC/DC, 60Hz, .020 amp
12VDC, .040 amp
250VAC, 50/60Hz, .009 amp

Finishes: (SA) Sprayed Aluminum (689), (SB) Sprayed Dark Bronze (690), (SLB) Sprayed Light Bronze (691), (SG) Sprayed Gold (696)



997

Application: Single door, low profile, wall mounted.

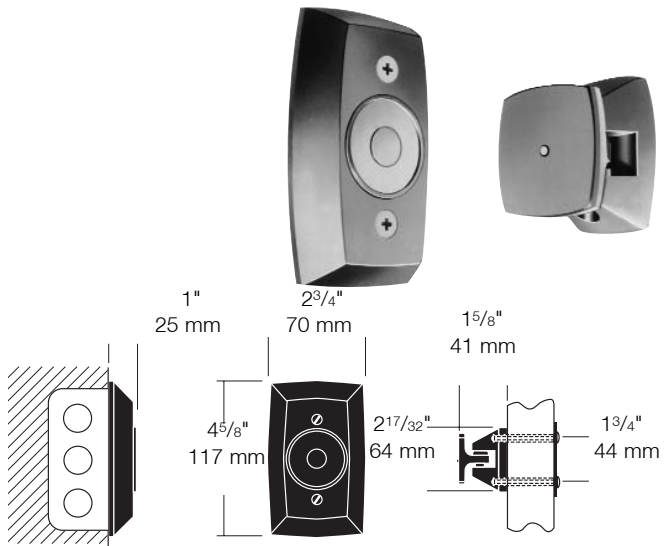
Description: Concealed wiring.
2" x 4" x 1 3/4" (51 x 102 x 45 mm) outlet box.

Total Projection: 2 5/8" (67 mm).

Holding Power: 30-40 lbs.

Voltage & Current: 120VAC, 60Hz., .020 amp
24VAC/DC, 60Hz, .020 amp
12VDC, .040 amp
250VAC, 50/60Hz, .009 amp

Finishes: (SA) Sprayed Aluminum (689), (SB) Sprayed Dark Bronze (690), (SLB) Sprayed Light Bronze (691), (SG) Sprayed Gold (696)



998

Application: Standard doors, wall mounted.

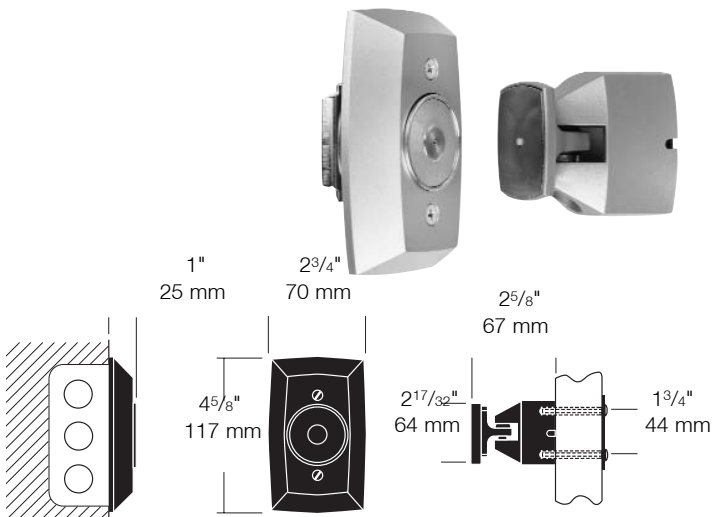
Description: Concealed wiring.
2" x 4" x 1 3/4" (51 x 102 x 45 mm) outlet box.

Total Projection: 3 5/8" (92 mm).

Holding Power: 30-40 lbs.

Voltage & Current: 120VAC, 60Hz, .020 amp
24VAC/DC, 60Hz, .020 amp
12VDC, .040 amp
250VAC, 50/60Hz, .009 amp

Finishes: (SA) Sprayed Aluminum (689), (SB) Sprayed Dark Bronze (690), (SLB) Sprayed Light Bronze (691), (SG) Sprayed Gold (696)



Serving North America

Pennsylvania
800-233-4210
Fax: 800-854-4146

Missouri
800-211-4607
Fax: 800-211-4608

Nevada
800-722-4210
Fax: 800-248-3620

Texas
866-693-6903
Fax: 866-693-6904