

## Door Closers

### 1600 SERIES

Closer bodies are constructed of a special aluminum alloy, carefully selected to accommodate interactive steel components and operating conditions. Rack and pinion operation provides a smooth constant control of the door through its full opening and closing cycle. 180 degree door swing can be achieved when door, frame, hardware and arm function do not interfere. Door closers are non-handed and can be installed on either right or left hand swing doors. Pinion shaft extends vertically through the closer body in both directions. This permits the closer to be positioned on either right or left hand doors for most applications. Sweep speed control valve allows adjustment of door speed from the door's full open position down to approximately 10 degrees from the closed position. Adjustable backcheck cushion valve provides control of the door in the opening cycle, beginning at approximately 75 degrees of the door opening. It slows/cushions the door opening when the door is forcibly opened beyond its pre-adjusted limits.

### Features

- ANSI A156.4, Grade 1
- Ten-year warranty
- U.L.-listed and compliant with U.L.10C for positive pressure
- Tri-pack packaging standard (regular arm top jamb and parallel arm mounting)
- Molded plastic cover (optional)

### Finish

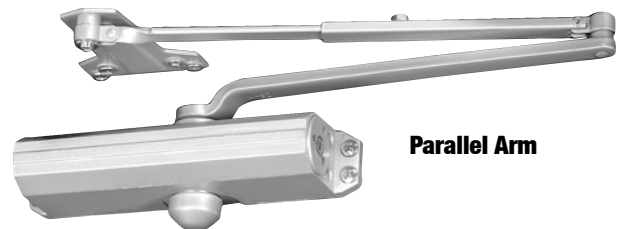
- **689** – Aluminum
- **690** – Dark Bronze
- **691** – Light Bronze
- **696** – Satin Brass (Gold)



**Regular Arm**



**Top Jamb**



**Parallel Arm**



Top Notch Distributors, Inc.

### Serving North America

**Pennsylvania**  
800-233-4210  
Fax: 800-854-4146

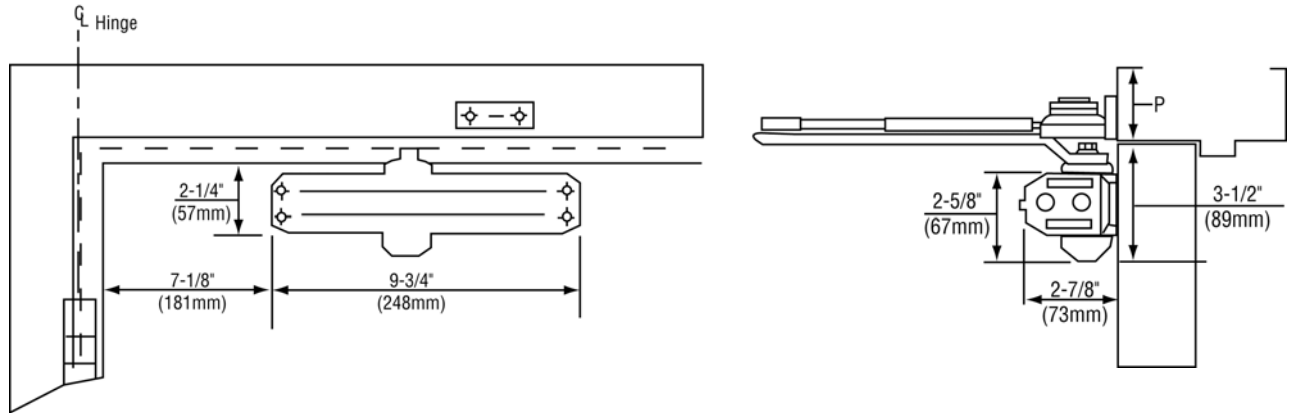
**Missouri**  
800-211-4607  
Fax: 800-211-4608

**Nevada**  
800-722-4210  
Fax: 800-248-3620

**Texas**  
866-693-6903  
Fax: 866-693-6904

[www.topnotch.bz](http://www.topnotch.bz) • [sales@topnotch.bz](mailto:sales@topnotch.bz)

## Door Closers



Features	1600BC	1601	1601BF
Sized springs 2, 3, 4, 5, 6 with no power adjustment	X		
Adjustable spring sizes 3 through 6		X	
Adjustable spring sizes 1 through 4			X
ADA compliant			X
Delayed action option (in lieu of backcheck)		X	X
Optional corrosion resistant model (non-hold open only)		X	X

### Serving North America

**Pennsylvania**  
800-233-4210  
Fax: 800-854-4146

**Missouri**  
800-211-4607  
Fax: 800-211-4608

**Nevada**  
800-722-4210  
Fax: 800-248-3620

**Texas**  
866-693-6903  
Fax: 866-693-6904

## Door Closers

### 7500/7700 SERIES

Closer bodies are constructed of a special aluminum alloy, carefully selected to accommodate interactive steel components and operating conditions. Rack and pinion operation provides a smooth constant control of the door through its full opening and closing cycle. 180 degree door swing can be achieved when door, frame, hardware and arm function do not interfere. Door closers are non-handed and can be installed on either right or left hand swing doors. Pinion shaft extends vertically through the closer body in both directions. This permits the closer to be positioned on either right or left hand doors for most applications. Sweep speed control valve allows adjustment of door speed from the door's full open position down to approximately 10 degrees from the closed position. Adjustable backcheck cushion valve provides control of the door in the opening cycle, beginning at approximately 75 degrees of the door opening. It slows/cushions the door opening, when the door is forcibly opened beyond its pre-adjusted limits.

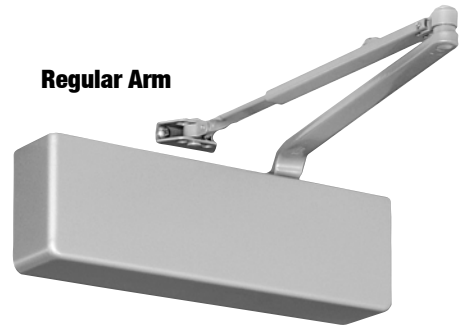
### Features

- ANSI A156.4, Grade 1
- Ten-year warranty
- U.L.-listed and compliant with U.L.10C for positive pressure
- All standard arm applications (with slim, full or metal covers)

### Finish

- **689** – Aluminum
- **690** – Dark Bronze
- **691** – Light Bronze
- **696** – Satin Brass (Gold)

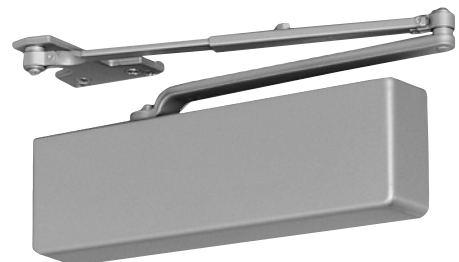
Regular Arm



Top Jamb



Parallel Arm



Top Notch Distributors, Inc.

### Serving North America

**Pennsylvania**  
800-233-4210  
Fax: 800-854-4146

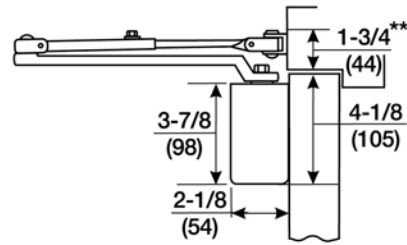
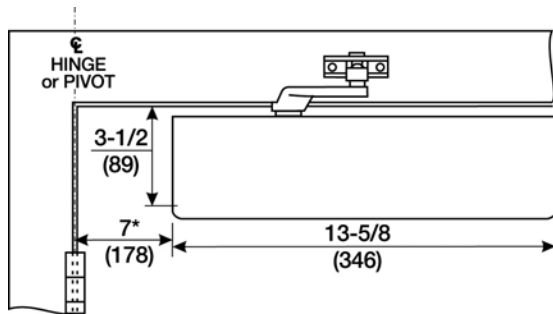
**Missouri**  
800-211-4607  
Fax: 800-211-4608

**Nevada**  
800-722-4210  
Fax: 800-248-3620

**Texas**  
866-693-6903  
Fax: 866-693-6904

[www.topnotch.bz](http://www.topnotch.bz) • [sales@topnotch.bz](mailto:sales@topnotch.bz)

## Door Closers



Features	7703	7500
Adjustable spring sizes 1 through 6		X
Bi-pack packaging standard (regular arm and top jamb mounting)	X	
Tri-pack packaging standard (regular arm, top jamb and parallel arm mounting)		X
Available with parallel arm option	X	
ADA compliant		X

### Serving North America

**Pennsylvania**  
800-233-4210  
Fax: 800-854-4146

**Missouri**  
800-211-4607  
Fax: 800-211-4608

**Nevada**  
800-722-4210  
Fax: 800-248-3620

**Texas**  
866-693-6903  
Fax: 866-693-6904

## Door Closers

### 8000 SERIES

Closer bodies are constructed of a special aluminum alloy, carefully selected to accommodate interactive steel components and operating conditions. Rack and pinion operation provides a smooth constant control of the door through its full opening and closing cycle. 180 degree door swing can be achieved when door, frame, hardware and arm function do not interfere. Door closers are non-handed and can be installed on either right or left hand swing doors. Pinion shaft extends vertically through the closer body in both directions. This permits the closer to be positioned on either right or left hand doors for most applications. Sweep speed control valve allows adjustment of door speed from the doors full open position down to approximately 10 degrees from the closed position. Adjustable backcheck cushion valve provides control of the door in the opening cycle, beginning at approximately 75 degrees of the door opening. It slows cushions the door opening, when the door is forcibly opened beyond its pre-adjusted limits.

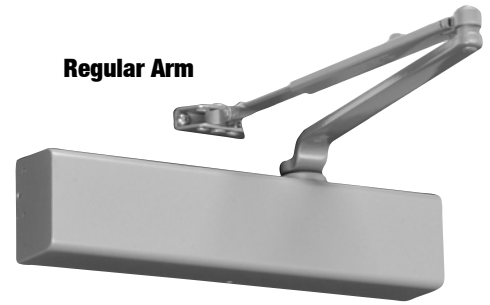
### Features

- ANSI A156.4, Grade 1
- Ten-year warranty
- U.L.-listed and compliant with U.L.10C for positive pressure
- All standard arm applications (with slim, full or metal covers)
- Staked valves

### Finish

- **689** – Aluminum
- **690** – Dark Bronze
- **691** – Light Bronze
- **696** – Satin Brass (Gold)

**Regular Arm**



**Top Jamb**



Top Notch Distributors, Inc.

### Serving North America

**Pennsylvania**  
800-233-4210  
Fax: 800-854-4146

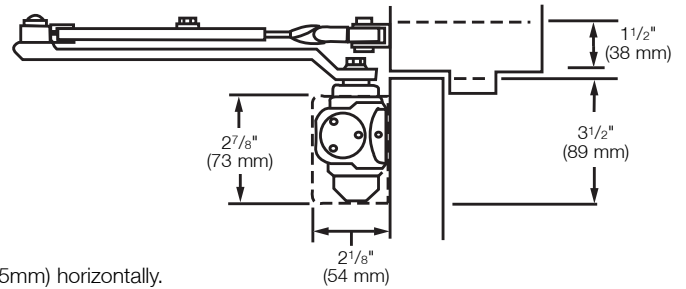
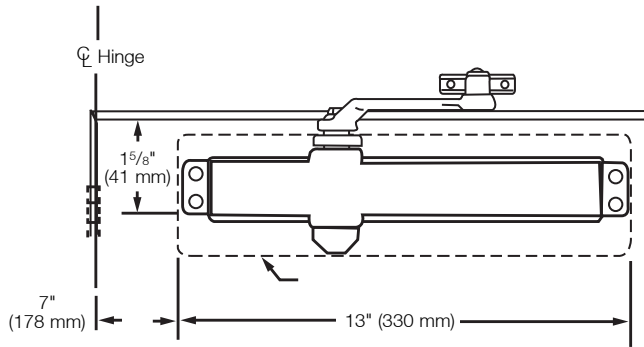
**Missouri**  
800-211-4607  
Fax: 800-211-4608

**Nevada**  
800-722-4210  
Fax: 800-248-3620

**Texas**  
866-693-6903  
Fax: 866-693-6904

[www.topnotch.bz](http://www.topnotch.bz) • [sales@topnotch.bz](mailto:sales@topnotch.bz)

## Door Closers



Mounting holes for closer body are spaced 3/4" (19mm) vertically x 12" (305mm) horizontally.  
 Note: All measurements are Inches/mm

Features	8301	8501
Adjustable spring sizes 1 through 6	X	X
Molded slim line plastic cover standard	X	
Molded full plastic cover standard	X	
Metal and Architectural covers optional	X	
Tri-pack packaging standard	X	X
(regular arm, top jamb and parallel arm mounting)		
ADA compliant	X	X

### Serving North America

**Pennsylvania**  
 800-233-4210  
 Fax: 800-854-4146

**Missouri**  
 800-211-4607  
 Fax: 800-211-4608

**Nevada**  
 800-722-4210  
 Fax: 800-248-3620

**Texas**  
 866-693-6903  
 Fax: 866-693-6904