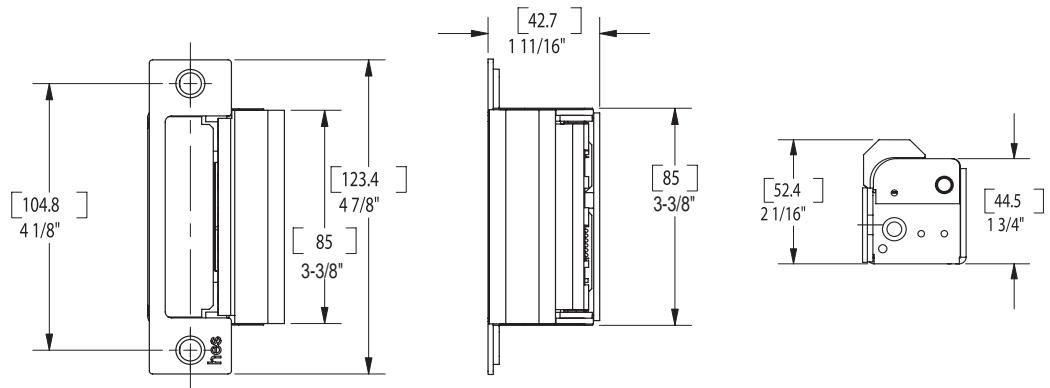


# 1006 Series Electric Strikes



The **1006 Series** is the strongest and most versatile electric strike available. It meets or exceeds every standard developed for electric strikes. The **1006** features an innovative dual interlocking plunger design and heavy-duty, all stainless steel construction. Factory tested to exceed 3,000 lbs. of static strength and 2,000,000 cycles of operation; the **1006** is in a class of its own.

### Specification:

- UL 10C, three hour fire-rated (fail secure only)
- UL 1034, burglary resistance
- ANSI/BHMA 156.31 – 2001, Grade 1
- NFPA specification 252
- ASTM specification E 152
- MEA 166-00-E
- Windstorm resistant; ANSI A250.13 – 2003, ASTM E1886-97, ASTM E330-98
- Warnock Hersey (Windstorm Resistant)
- Patented design

### Frame Application:

- Steel
- Aluminum
- Wood

### Electrical:

- 45 Amps @ 12 VDC
- .25 Amps @ 24 VDC

### Standard Features:

- Tamper resistant – heavy-duty construction
- Available in fail secure (**Model 1006**) and fail safe (**Model 1006F**)

- Fail secure – unlocked when energized
- Fail safe – locked when energized
- Non-handed
- Dual voltage – field selectable, 12 or 24 VDC
- All stainless steel construction for corrosion resistance, strength, and durability
- Horizontal adjustment
- Trim enhancer (goof plate)
- Five year limited warranty

### Optional Features:

- LBM – Latchbolt monitor
- LBSM – Latchbolt strike monitor
- Lip extension trim adapter
- Electrolynx pigtail (no charge)\*

\* Upon request

### Accessories:

- 2005 – SMART - Pac™ II in-line power controller
- 2006P – Plug-in buzzer
- 2009P – Plug-in
- 154-MTK – Metal template kit

### Standard Finishes:

- 630 – Satin stainless steel
- BLK – Black nylon coated (strike only)
- 613 – Bronze toned

### Special Finishes:

- 605 – Bright brass



Top Notch Distributors, Inc.

### Serving North America

**Pennsylvania**  
800-233-4210  
Fax: 800-854-4146

**Missouri**  
800-211-4607  
Fax: 800-211-4608

**Nevada**  
800-722-4210  
Fax: 800-248-3620

**Texas**  
866-693-6903  
Fax: 866-693-6904

www.topnotch.bz • sales@topnotch.bz

## 1006 Series Faceplate Options

hes

### J Option

**Operation:**

After releasing the latchbolt, the keeper returns to the locked position.

**For use with:**

Cylindrical locksets up to  $\frac{3}{4}$ " throw and all locksets with center-lined bolts.

**ANSI/BHMA Numbers:**

#E09321, #E09322, #E09323

**Finishes: 605, 613, 630**



$4\frac{7}{8}$ " x  $1\frac{1}{4}$ "

### E Option

**Operation:**

After releasing the latchbolt/deadbolt, the keeper is held open and recaptures the bolt when the door is closed.

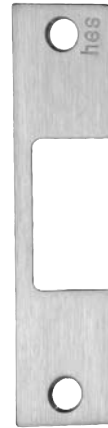
**For use with:**

Corbin/Russwin Security Bolt, Weiserbolt, and normally extended 1" tubular deadbolts.

**ANSI/BHMA Numbers:**

#E09391, #E09392, #E09393

**Finishes: 613, 630**



$4\frac{7}{8}$ " x  $1\frac{1}{4}$ "

### Serving North America

**Pennsylvania**  
800-233-4210  
Fax: 800-854-4146

**Missouri**  
800-211-4607  
Fax: 800-211-4608

**Nevada**  
800-722-4210  
Fax: 800-248-3620

**Texas**  
866-693-6903  
Fax: 866-693-6904

# 1006 Series Faceplate Options



## K, KD, KM Options

### Operation:

After releasing the latchbolt, the keeper returns to the locked position.

### K For use with:

Mortise locksets with a deadlatch positioned above the latchbolt.

### Compatible Locksets:

Accurate, Baldwin, Marks, PDQ, Others

### ANSI/BHMA Numbers:

#E09321, #E09322, #E09323

**Finishes: 605, 613, 630, BLK**



4<sup>7</sup>/<sub>8</sub>" x 1<sup>1</sup>/<sub>4</sub>"

### KD For use with:

Mortise locksets with a deadlatch positioned above the latchbolt.

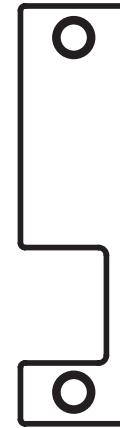
### Compatible Locksets:

Jackson, Sargent (7700 & 8100), Schlage, Yale (8700)

### ANSI/BHMA Numbers:

#E09321, #E09322, #E09323

**Finishes: 605, 606, 612, 613, 630**



4<sup>7</sup>/<sub>8</sub>" x 1<sup>1</sup>/<sub>4</sub>"

### KM For use with:

Mortise locksets with a deadlatch positioned below the latchbolt.

### Compatible Locksets:

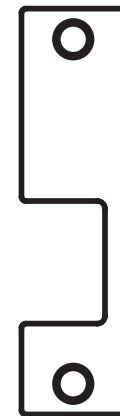
Arrow, Best\*, Corbin/Russwin, Falcon (1992 M Series) Sargent (7800, 8200 & 9200 Series), Yale (8800)

\* Deadlatch is positioned above the latchbolt.

### ANSI/BHMA Numbers:

#E09321, #E09322, #E09323

**Finishes: 605, 613, 630, BLK**



4<sup>7</sup>/<sub>8</sub>" x 1<sup>1</sup>/<sub>4</sub>"



Top Notch Distributors, Inc.

## Serving North America

### Pennsylvania

800-233-4210  
Fax: 800-854-4146

### Missouri

800-211-4607  
Fax: 800-211-4608

### Nevada

800-722-4210  
Fax: 800-248-3620

### Texas

866-693-6903  
Fax: 866-693-6904

[www.topnotch.bz](http://www.topnotch.bz) • [sales@topnotch.bz](mailto:sales@topnotch.bz)

# 1006 Series Faceplate Options



## N Option

### Operation:

The deadbolt is retracted during traffic hours. The latchbolt is released by the keeper. The keeper returns to the locked position. If the deadbolt is extended, the keeper will not recapture it.

### For use with:

Mortise locksets where the deadbolt is used for night-latch function only.

### Compatible Locksets:

Accurate, Arrow, Baldwin, Best, Marks, Omnia, PDQ, Others

### ANSI/BHMA Numbers:

#E09391, #E09392, #E09393, #E09331, #E09332, #E09333

**Finishes: 613, 630**



4<sup>7</sup>/<sub>8</sub>" x 1<sup>1</sup>/<sub>4</sub>"

## AD Option

### Operation:

Latchbolt and deadbolt are released by a single keeper. The keeper is held open to recapture the latchbolt and the deadbolt when the door is closed.

### For use with:

Mortise locksets with a normally extended 1" deadbolt without a deadlatch.

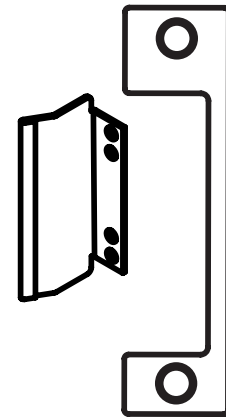
### Compatible Locksets:

Sargent (7700 & 8100 Series), Schlage, Yale (8700 Series)

### ANSI/BHMA Numbers:

#E09391, #E09392, #E09393, #E09331, #E09332, #E09333

**Finishes: 613, 630**



4<sup>7</sup>/<sub>8</sub>" x 1<sup>1</sup>/<sub>4</sub>"



Top Notch Distributors, Inc.

## Serving North America

### Pennsylvania

800-233-4210  
Fax: 800-854-4146

### Missouri

800-211-4607  
Fax: 800-211-4608

### Nevada

800-722-4210  
Fax: 800-248-3620

### Texas

866-693-6903  
Fax: 866-693-6904

[www.topnotch.bz](http://www.topnotch.bz) • [sales@topnotch.bz](mailto:sales@topnotch.bz)

# 1006 Series Faceplate Options



## T, TD Option

### Operation:

Latchbolt and deadbolt are released by a single keeper. The keeper is held open to recapture the latchbolt and the deadbolt, and the deadlatch is engaged when the door is closed.

### T For use with:

Mortise locksets with a normally extended 1" deadbolt and a centerlined deadlatch.

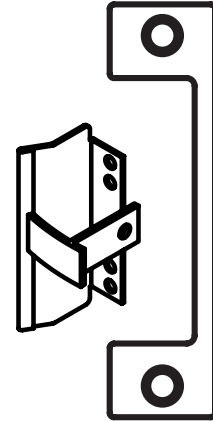
### Compatible Locksets:

Accurate, Arrow, Baldwin, Marks, Omnia, PDQ, Others.

### ANSI/BHMA Numbers:

#E09391, #E09392, #E09393, #E09331, #E09332, #E09333

**Finishes: 605, 613, 630**



4<sup>7</sup>/<sub>8</sub>" x 1<sup>1</sup>/<sub>4</sub>"

### TD For use with:

Mortise locksets with a normally extended 1" deadbolt and a center-lined deadlatch.

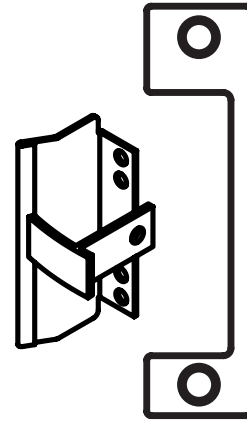
### Compatible Locksets:

Sargent (7700 & 8100 Series), Schlage, Yale (8700)

### ANSI/BHMA Numbers:

#E09391, #E09392, #E09393, #E093331, #E09332, #E09333

**Finishes: 605, 613, 630**



4<sup>7</sup>/<sub>8</sub>" x 1<sup>1</sup>/<sub>4</sub>"



Top Notch Distributors, Inc.

## Serving North America

### Pennsylvania

800-233-4210  
Fax: 800-854-4146

### Missouri

800-211-4607  
Fax: 800-211-4608

### Nevada

800-722-4210  
Fax: 800-248-3620

### Texas

866-693-6903  
Fax: 866-693-6904

[www.topnotch.bz](http://www.topnotch.bz) • [sales@topnotch.bz](mailto:sales@topnotch.bz)

# 1006 Series Faceplate Options



## H, HD Option

### Operation:

Lockout feature – the electric strike will not release when the deadbolt is extended. The deadbolt is retracted during traffic hours. The latchbolt is released by the keeper. The keeper returns to the locked position.

### H For use with:

Mortise locksets with a 1" deadbolt without a deadlatch. Strike will not release when deadbolt is extended.

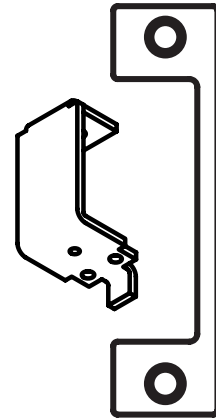
### Compatible Locksets:

Accurate, Arrow, Baldwin, Marks, Omnia, PDQ, Others

### ANSI/BHMA Numbers:

#E09391, #E09331, #E09332, #E09333

**Finishes: 605, 613, 630**



4<sup>7</sup>/<sub>8</sub>" x 1<sup>1</sup>/<sub>4</sub>"

### HD For use with:

Mortise locksets with a 1" deadbolt without a deadlatch. Strike will not release when deadbolt is extended.

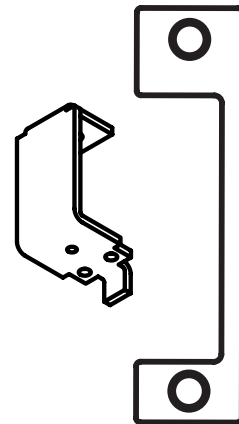
### Compatible Locksets:

Sargent (7700 & 8100 Series), Schlage, Yale (8700)

### ANSI/BHMA Numbers:

#E09391, #E09392, #E09393, #E09332, #E09333

**Finishes: 605, 613, 630**



4<sup>7</sup>/<sub>8</sub>" x 1<sup>1</sup>/<sub>4</sub>"



## Serving North America

### Pennsylvania

800-233-4210  
Fax: 800-854-4146

### Missouri

800-211-4607  
Fax: 800-211-4608

### Nevada

800-722-4210  
Fax: 800-248-3620

### Texas

866-693-6903  
Fax: 866-693-6904

# 1006 Series Faceplate Options



## HTD Option

### Operation:

Lockout feature – the electric strike will not release when the deadbolt is extended. The deadbolt is retracted during traffic hours. The latchbolt is released by the keeper. The keeper returns to the locked position.

### For use with:

Mortise locksets with a 1" deadbolt and a center-lined deadlatch. Strike will not release when deadbolt is extended.

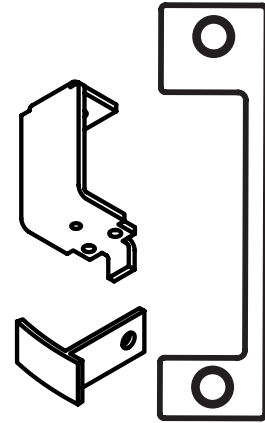
### Compatible Locksets:

Sargent (7700 & 8100 Series), Schlage, Yale (8700)

### ANSI/BHMA Numbers:

#E09391, #E09393, #E09393, #E09331, #E09332, #E09333

**Finishes: 605, 613, 630**



4<sup>7</sup>/<sub>8</sub>" x 1<sup>1</sup>/<sub>4</sub>"

## R Option

### Operation:

The hookbolt is released by the keeper. The keeper is held open to recapture the hookbolt when the door is closed.

### For use with:

A hookbolt up to 1" throw.

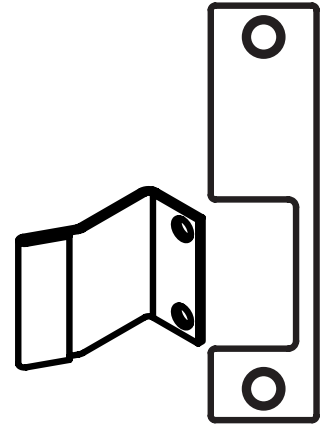
### Compatible Locksets:

Adams Rite, Others

### ANSI/BHMA Numbers:

#E09391, #E09393, #E09331, #E09332, #E09333

**Finishes: 613, 630**



4<sup>7</sup>/<sub>8</sub>" x 1<sup>1</sup>/<sub>4</sub>"



Top Notch Distributors, Inc.

## Serving North America

### Pennsylvania

800-233-4210  
Fax: 800-854-4146

### Missouri

800-211-4607  
Fax: 800-211-4608

### Nevada

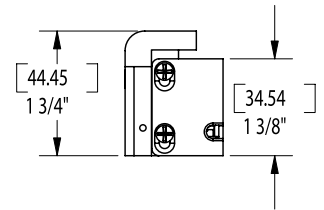
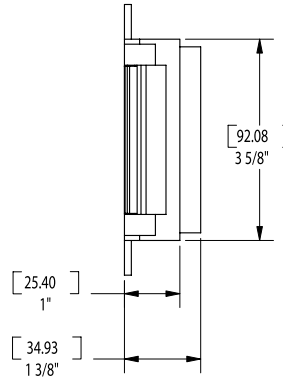
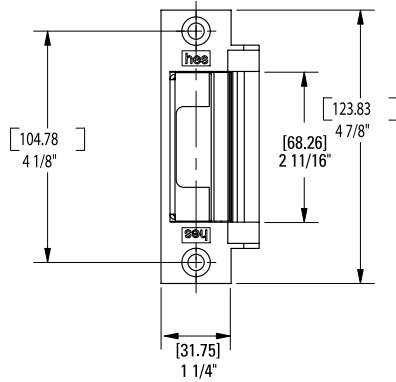
800-722-4210  
Fax: 800-248-3620

### Texas

866-693-6903  
Fax: 866-693-6904

[www.topnotch.bz](http://www.topnotch.bz) • [sales@topnotch.bz](mailto:sales@topnotch.bz)

# 4500 Series Electric Strike



The **4500 Series** is the first electric strike designed for installation in 2" UL 10C fire-rated frames with 1/2" drywall penetration. Based on the design of the popular **5000 Series**, the **4500** electric strike features a low profile 1 3/8" depth, heavy-duty cast stainless steel construction and horizontal adjustment for simple installation. The **4500** takes "heavy-duty" to the next level. Its strength is derived from a unique keeper pin locking design, enabling the **4500** to exceed the ratings of the frame, door and locking hardware. Designed for use with door and locking hardware. Designed for use with cylindrical and mortise locksets up to a 3/4" throw.

### Fire Rating Standards:

(Evaluated to conform by Intertek ETL Semko)

- UL 10C fire rated, three hour (fail secure only)
- ASTM E 152
- CAN4-S104
- NFPA 252
- UBC-7-2-94, Uniform Building Code
- Warnock Hersey certified

### Frame Application:

- Steel
- Aluminum
- Wood

### Electrical:

- .24 Amps @ 12VDC
- .12 Amps @ 24VDC

### Standard Features:

- Heavy duty stainless steel construction
- Forcing strength rating 1,500 lbs
- Dynamic force rating 70 ft-lbs
- Endurance rating 250,000 cycles (Factory tested to over 1,000,000)
- Designed for use with up to 3/4" cylindrical locksets and offset mortise locks
- Dual voltage 12/24 VDC
- Fail secure standard
- Five year limited warranty

### Optional Features:

- LBM – Latchbolt monitor\*
- LBSM – Latchbolt strike monitor\*
- Optional fail safe version available
- Extended lip
- Electrolynx pigtail (no charge)\*\*

\* Call for availability

\*\* Upon request

### Accessories:

- 2005 – SMART-Pac™ II in-line power controller
- 2006P – Plug-in buzzer
- 2009P – Plug-in LED

### Standard Finishes:

- 630 – Satin stainless steel
- 613 – Bronze toned



Top Notch Distributors, Inc.

### Serving North America

**Pennsylvania**  
800-233-4210  
Fax: 800-854-4146

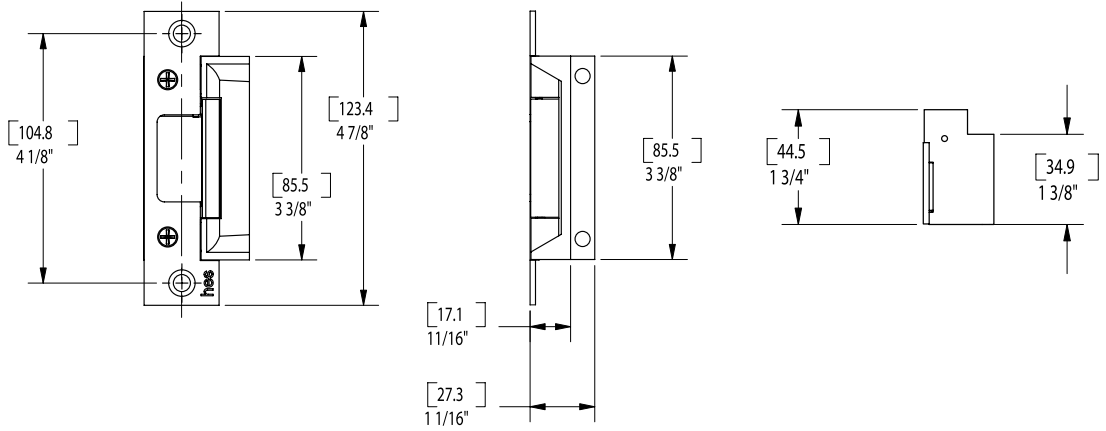
**Missouri**  
800-211-4607  
Fax: 800-211-4608

**Nevada**  
800-722-4210  
Fax: 800-248-3620

**Texas**  
866-693-6903  
Fax: 866-693-6904

[www.topnotch.bz](http://www.topnotch.bz) • [sales@topnotch.bz](mailto:sales@topnotch.bz)

# 5000 Series Electric Strike



The **5000 Series** is a compact, high performance electric strike designed for low profile openings where there is limited space behind the jamb. This includes narrow style aluminum jambs and jambs with protruding glass inside. The **5000 Series** has a static strength of 2400 lbs (factory tested). The field selectable fail secure/fail safe unit is easy to install and accommodates 5/8" latchbolts.

### Specifications:

- ANSI/BHMA 156.31, Grade 1
- UL 1034, burglary resistance rated
- MEA 166-002
- Patented design

### Frame Application:

- Steel
- Aluminum
- Wood

### Electrical:

- .22 Amp @ 12VDC
- .11 Amp @ 24VDC

### Standard Features:

- Dual voltage 12 or 24VDC/VAC
- Field selectable fail secure/fail safe
- Forcing strength rating 1,500 lbs
- Dynamic force rating 70 ft-lbs
- Endurance rating 250,000 cycles (Factory tested to over 1,000,000)
- Internally mounted solenoid
- Non-handed
- Trim enhancer (goof plate) included
- Five year warranty

### Optional Features:

- LBM – Latchbolt monitor
- Four “press fit” stackable lip extensions
- Electrolynx pigtail (no charge)\*

\* Upon request

### Accessories:

- 2005 – SMART-Pac™ II in-line power controller
- 2006P – Plug-in buzzer
- 2009P – Plug-in LED
- 154 – Metal template kit

### Standard Finishes:

- 630 Satin stainless steel\*\*
- 613 Bronze toned (faceplate)

\*\* Strike body available only in BLK



Top Notch Distributors, Inc.

### Serving North America

**Pennsylvania**  
800-233-4210  
Fax: 800-854-4146

**Missouri**  
800-211-4607  
Fax: 800-211-4608

**Nevada**  
800-722-4210  
Fax: 800-248-3620

**Texas**  
866-693-6903  
Fax: 866-693-6904

[www.topnotch.bz](http://www.topnotch.bz) • [sales@topnotch.bz](mailto:sales@topnotch.bz)

## 5000 Series Faceplate Options

hes

### 501 Option

**Operation:**

After release, the keeper returns to the locked position.

**For use with:**

Cylindrical locksets in ANSI metal jambs. For use with latchbolts up to  $\frac{5}{8}$ " throw.

**ANSI/BHMA Numbers:**

#E09321, #E09322, #E09323

**Finishes: 613, 630**



$4\frac{7}{8}$ " x  $1\frac{1}{4}$ "

### 501A Option

**Operation:**

After releasing the latchbolt, the keeper returns to the locked position.

**For use with:**

Cylindrical locksets. For use with latchbolts up to  $\frac{5}{8}$ " throw. Includes universal mounting tabs. Aluminum frames.

**ANSI/BHMA Numbers:**

#E09321, #E09322, #E09323

**Finishes: 613, 630**



$4\frac{7}{8}$ " x  $1\frac{1}{4}$ "

### Serving North America

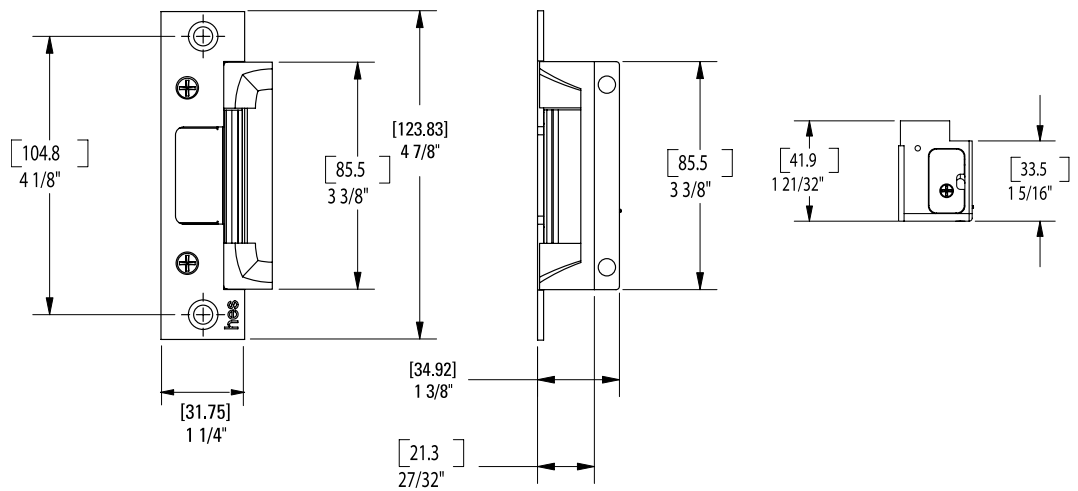
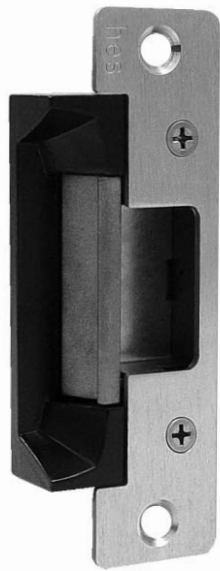
**Pennsylvania**  
800-233-4210  
Fax: 800-854-4146

**Missouri**  
800-211-4607  
Fax: 800-211-4608

**Nevada**  
800-722-4210  
Fax: 800-248-3620

**Texas**  
866-693-6903  
Fax: 866-693-6904

# 5200 Series Electric Strike



The 5200 Series raises the standard in adaptability for electric strikes. Offering features such as an all new innovative approach to in-frame horizontal adjustability, the **5200 Series** was designed with the installer in mind. The field selectable fail/secure fail safe unit is easy to install and accommodates 3/4" latchbolts.

### Specifications:

- ANSI/BHMA 156.31, Grade 1
- UL 1034, burglary resistance rated
- Patented design

### Frame Application:

- Steel
- Aluminum
- Wood

### Electrical:

- .120 Amp @ 12VDC/VAC
- .240 Amp @ 24VDC/VAC

### Standard Features:

- In-frame horizontal adjustability
- Heavy-duty-for use with up to 3/4" latchbolts
- Dual voltage 12 or 24VDC/VAC
- Field selectable fail secure/fail safe
- Forcing strength rating 1,500 lbs
- Dynamic force rating 70 ft-lbs
- Endurance rating 250,000 cycles (Factory tested to over 1,000,000)
- Internally mounted solenoid
- Non-handed

### Standard Features (continued):

- Trim enhancer (goof plate) included
- Five year warranty

### Optional Features:

- LBM – Latchbolt monitor\*
- LBSM – Latchbolt Strike monitor\*
- Multiple interchangeable faceplate option kits to accommodate cylindrical locksets
- Four “press fit” stackable lip extensions
- Electrolynx pigtail (no charge)\*\*

\*Call for availability

\*\*Upon request

### Accessories:

- 2005 – SMART-Pac™ II in-line power controller
- 2006P – Plug-in buzzer
- 2009P – Plug-in LED
- 154 – Metal template kit

### Standard Finishes:

- 630 Satin stainless steel\*\*

\*\*Upon request



Top Notch Distributors, Inc.

### Serving North America

**Pennsylvania**  
800-233-4210  
Fax: 800-854-4146

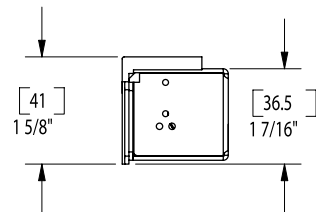
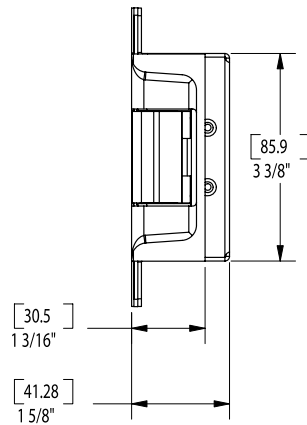
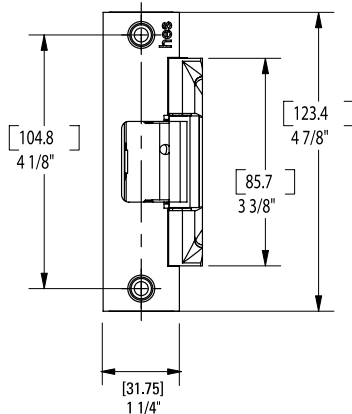
**Missouri**  
800-211-4607  
Fax: 800-211-4608

**Nevada**  
800-722-4210  
Fax: 800-248-3620

**Texas**  
866-693-6903  
Fax: 866-693-6904

www.topnotch.bz • sales@topnotch.bz

# 7000 Series Electric Strike



The **7000 Series** has a modular design to accommodate both cylindrical and rim exit locksets. The **7000 Series** will accommodate various types of latchbolts from  $\frac{5}{8}$ " to  $\frac{3}{4}$ " throw. The unique design of the keeper module allows the unit to operate under excessive door loading. The **7000 Series** has an internally mounted solenoid for ease of installation in metal, aluminum and wood jambs. The heavy-duty construction of the **7000 Series** electric strikes makes them ideal for high usage applications.

### Specifications:

- ANSI/BHMA 156.31, Grade 2
- UL 1034, burglary resistance rated
- MEA 166-00-E
- Patented design

### Frame Application:

- Steel
- Aluminum
- Wood

### Electrical:

- .45 Amp @ 12VDC
- .25 Amp @ 24VDC

### Standard Features:

- Accommodates preload conditions (fail secure)
- Tamper resistant – heavy duty construction
- Strike depth –  $1\frac{5}{8}$ "
- Trim enhancer (701 option)

### Standard Features (continued):

- Keeper pocket adapter (786 & 789 options)
- Keeper shims available with faceplate options
- Field selectable operation fail secure/fail safe
- Internally mounted solenoid
- Non-handed
- Three year limited warranty

### Optional Features:

- LBM – Latch bolt monitor (701 option only)
- Lip extension trim adapter
- Spacer plate
- Replacement strike plate
- Surface mounting box
- Keeper shim
- Electrolynx pigtail (no charge)\*\*\*

\*\*\*Available upon request

### Accessories:

- 2005 – SMART-Pac™ II in-line power controller
- 2006P – Plug-in buzzer
- 2009P – Plug-in LED

### Standard Finishes:

- 630 Satin stainless steel\*\*
- 613C Brown nylon powder coated (faceplate)
- 628C Silver nylon powder coated (faceplate)

\*\*Strike body available only in 630



Top Notch Distributors, Inc.

### Serving North America

**Pennsylvania**  
800-233-4210  
Fax: 800-854-4146

**Missouri**  
800-211-4607  
Fax: 800-211-4608

**Nevada**  
800-722-4210  
Fax: 800-248-3620

**Texas**  
866-693-6903  
Fax: 866-693-6904

[www.topnotch.bz](http://www.topnotch.bz) • [sales@topnotch.bz](mailto:sales@topnotch.bz)

## 7000 Series Faceplate Options



### 701 Option

**Operation:**

After releasing latchbolt the keeper returns to the locked position.

**For use with:**

Cylindrical locksets up to  $\frac{5}{8}$ " throw.  
(For use with 7000 Series electric strikes only.)

**ANSI/BHMA Numbers:**

#E09322, #E09323

**Finishes: 613, 630**



**4 $\frac{7}{8}$ " x 1 $\frac{1}{4}$ "**

### 783 Option

**Operation:**

After releasing pullman latch, the keeper returns to the locked position.

**For use with:**

Rim exit devices in metal jambs with up to  $\frac{3}{4}$ " pullman latch.  
(For use with **700 Series** electric strikes.)

**Compatible Locksets:**

American Device, Arrow, Dor-O-Matic, Monarch, Precision, Sargent,  
Von Duprin, Yale

**ANSI/BHMA Numbers:**

#E09312, #E09313

**Finishes: 613, 628**



**9" x 4 $\frac{3}{4}$ " x 1 $\frac{1}{16}$ "**



Top Notch Distributors, Inc.

### Serving North America

**Pennsylvania**

800-233-4210  
Fax: 800-854-4146

**Missouri**

800-211-4607  
Fax: 800-211-4608

**Nevada**

800-722-4210  
Fax: 800-248-3620

**Texas**

866-693-6903  
Fax: 866-693-6904

[www.topnotch.bz](http://www.topnotch.bz) • [sales@topnotch.bz](mailto:sales@topnotch.bz)

## 7000 Series Faceplate Options

hes

### 786 Option

#### Operation:

After releasing pullman latch, the keeper returns to the locked position.

#### For use with:

Rim exit devices in aluminum jambs and surface mounted vertical rod exit devices with up to a  $\frac{3}{4}$ " pullman latch. (For use with **7000 Series** electric strikes.)

#### Compatible Locksets:

Adams Rite, American Device, Arrow, Dor-O-Matic, Jackson, Monarch, Precision, Sargent, Von Duprin, Yale

#### ANSI/BHMA Numbers:

#E09312, #E09313

**Finishes: 613, 628**



**6 $\frac{1}{2}$ " x 1 $\frac{3}{4}$ " x  $\frac{1}{2}$ "**

### 789 Option

#### Operation:

After releasing pullman latch, the keeper returns to the locked position.

#### For use with:

Rim exit devices in aluminum jambs with up to a  $\frac{3}{4}$ " pullman latch. (For use with **7000 series** electric strikes. Includes keeper pocket adapter).

#### Compatible Locksets:

Adams Rite, American Device, Arrow, Dor-O-Matic, Jackson, Monarch, Precision, Sargent, Von Duprin, Yale

#### ANSI/BHMA Number:

#E09312, #E09313

**Finishes: 613, 628**



**9" x 1 $\frac{3}{4}$ " x  $\frac{1}{2}$ "**

#### Serving North America

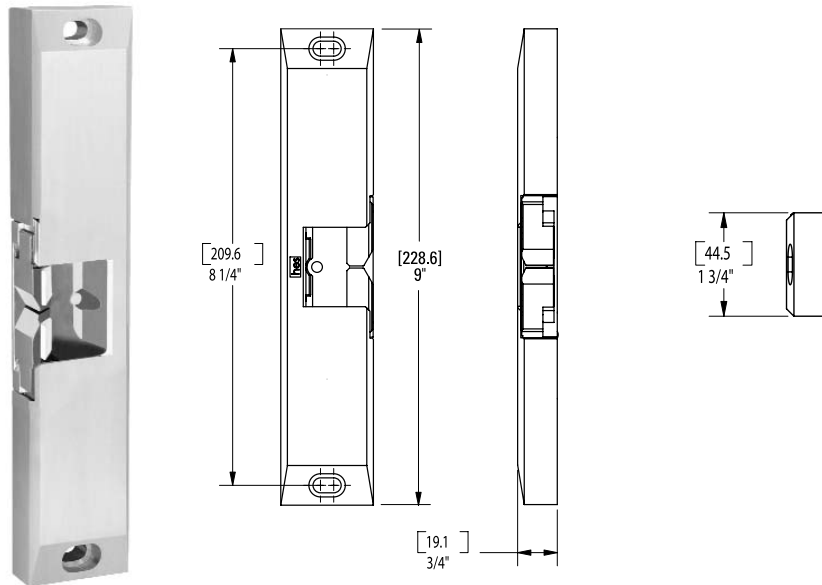
**Pennsylvania**  
800-233-4210  
Fax: 800-854-4146

**Missouri**  
800-211-4607  
Fax: 800-211-4608

**Nevada**  
800-722-4210  
Fax: 800-248-3620

**Texas**  
866-693-6903  
Fax: 866-693-6904

# 9500 Series Electric Strike



Like the **9600 Series**, the **9500 Series** Genesis™ II is completely surface mounted, featuring all components completely encased within its 3/4" thick stainless steel housing-requiring no cuts to the jamb. Designed for use with 3/4" exit devices, the Genesis series is field selectable to either fail secure or fail safe operation and can be operated with either 12 or 24 volts DC. The **9500 Series** Genesis™ II is UL 10C (90 minute) fire and Warnock Hersey rated, making it the perfect solution for fire-rated rim exit applications.

### Fire Rating Standards:

(Evaluated to conform by Intertek ETL Semko)

- UL 10C fire rated, 90 minutes (fail secure only)
- ASTM E152
- CAN4-S104
- NFPA 252
- UBC-7-2-94, Uniform Building Code
- Installed in accordance with NFPA-80 Fire Windows and Door
- Warnock Hersey certified

### Frame Application:

- Steel
- Wood

### Electrical:

- .48 Amps @ 12VDC
- .24 Amps @ 24VDC

### Standard Features:

- Completely surface mounted
- Heavy-duty – designed for use with 3/4" exit devices
- Dual voltage 12/24VDC
- Field selectable fail secure/fail safe
- Forcing strength rating 1,500 lbs
- Dynamic Force Rating 70 ft-lbs
- Endurance Rating 250,000 cycles (Factory tested to over 1,000,000)
- Five year limited warranty

### Optional Features:

- LBM – Latchbolt monitor
- LBSM – Latchbolt strike monitor
- 9500/9600 – 108 Spacer plate
- Electrolynx pigtail (no charge)\*

\*Upon request

### Accessories:

- 2005 – SMART-Pac™ II in-line power controller
- 2006P – Plug-in buzzer
- 2009P – Plug-in LED

### Standard Finishes:

- 630 Satin stainless steel
- 613 Bronze toned



Top Notch Distributors, Inc.

### Serving North America

**Pennsylvania**  
800-233-4210  
Fax: 800-854-4146

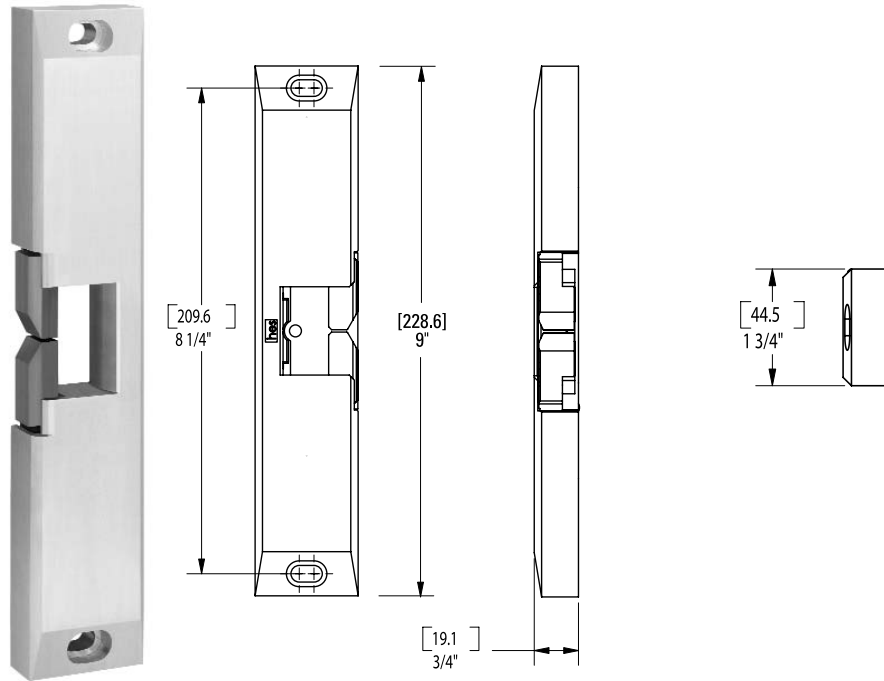
**Missouri**  
800-211-4607  
Fax: 800-211-4608

**Nevada**  
800-722-4210  
Fax: 800-248-3620

**Texas**  
866-693-6903  
Fax: 866-693-6904

[www.topnotch.bz](http://www.topnotch.bz) • [sales@topnotch.bz](mailto:sales@topnotch.bz)

# 9600 Series Electric Strike



Completely surface-mounted, the **9600 Series** Genesis™ is the first of its kind. The **9600** features an internally mounted solenoid and two stainless steel, independently operating locking mechanisms. The **9600** is easy to install, with all components of the **9600** encased in the 9" x 1 3/4" x 3/4" faceplate, requiring no cuts to the jamb prior to installation.

#### Specifications:

- ANSI/BHMA, 156.31 Grade 1
- Patented design

#### Frame Application:

- Steel
- Wood

#### Electrical:

- .45 Amps @ 12VDC
- .25 Amps @ 24VDC

#### Standard Features:

- Tamper resistant – heavy-duty construction
- Completely surface mounted
- Field selectable fail secure/fail safe
- Non-handed
- Horizontal lockdown screws
- Accommodates up to 3/4" throw pullman latch
- Five year limited warranty

#### Optional Features:

- LBM – Latchbolt monitor
- LBSM – Latchbolt strike monitor
- 9500/9600 – 108 Spacer plate
- Electrolynx pigtail (no charge)\*

\*Upon request

#### Accessories:

- 2005 – SMART-Pac™ II in-line power controller
- 2006P – Plug-in buzzer
- 2009P – Plug-in LED

#### Standard Finishes:

- 630 Satin stainless steel
- 613 Bronze toned



#### Serving North America

**Pennsylvania**  
800-233-4210  
Fax: 800-854-4146

**Missouri**  
800-211-4607  
Fax: 800-211-4608

**Nevada**  
800-722-4210  
Fax: 800-248-3620

**Texas**  
866-693-6903  
Fax: 866-693-6904



## Accessories

### 2001 Plug-in bridge rectifier

- Converts AC to DC. 35V, 1 Amp



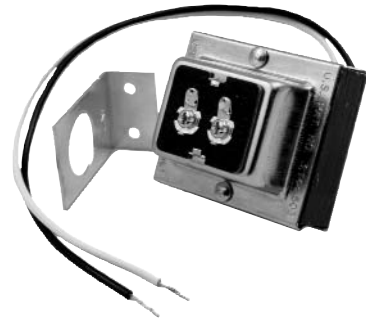
### 2002-12 AC transformer

- Converts 110/120 VAC to 12 VAC output. 20V, 1.6 Amp max.



### 2002-24 AC transformer

- Converts 110/120 VAC to 24 VAC output. 5V, 0.2 Amp max.



### 2002P-24 AC plug-in transformer

- Converts 110/120 VAC output. 20V, 1.6 Amp max.



### Serving North America

**Pennsylvania**  
800-233-4210  
Fax: 800-854-4146

**Missouri**  
800-211-4607  
Fax: 800-211-4608

**Nevada**  
800-722-4210  
Fax: 800-248-3620

**Texas**  
866-693-6903  
Fax: 866-693-6904

# Accessories

## 2005 SmartPac II™

The **2005 SmartPac II™** is an in-line power control that is able to receive input voltages from 12 to 32VAC or DC. The built-in bridge rectifier provides 12 or 24VDC output. Under continuous duty operation, the output VDC is reduced by 25% to extend the life of the electric strike. The **SmartPac II™** includes an in-line fuse, MOV to protect against possible inrush and reverse surges, and a 2-8 second adjustable timer.

### Standard Features:

- Accepts wide range of input voltage: 12-32 volts AC or DC
- Selectable 12 or 24 volt DC output options
- Built-in bridge rectifier
- Built-in surge protection/voltage regulation
- Operates in Fail-Secure and Fail-Safe modes
- Activation timer: keeps strike energized for set period of time, adjustable from 2-8 seconds
- Continuous duty timer: reduces initial voltage by 25% after set period of time, adjustable from 2-8 seconds, provides cooler more efficient operation of strike
- Extends the warranty of HES electric strikes



## 2006P Plug-in buzzer

- Audible operation indicator



## 2009P Plug-in LED

- Visible operation indicator



### Serving North America

**Pennsylvania**  
800-233-4210  
Fax: 800-854-4146

**Missouri**  
800-211-4607  
Fax: 800-211-4608

**Nevada**  
800-722-4210  
Fax: 800-248-3620

**Texas**  
866-693-6903  
Fax: 866-693-6904

## Accessories

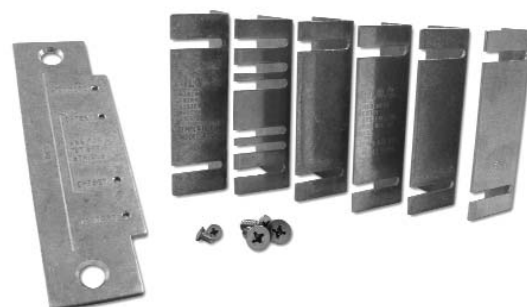
### 152 Universal mounting tabs

- Mount inside hollow metal and aluminum jambs



### 154-MTK Metal template kit

- For installing the **1006 Series, 4500, 5000, 5200, 7000**, and electric strikes (4<sup>7</sup>/<sub>8</sub>" ANSI jamb preparation only)



### Serving North America

**Pennsylvania**  
800-233-4210  
Fax: 800-854-4146

**Missouri**  
800-211-4607  
Fax: 800-211-4608

**Nevada**  
800-722-4210  
Fax: 800-248-3620

**Texas**  
866-693-6903  
Fax: 866-693-6904

## How to Order

An HES electric strike is really an “electric strike system.” Most faceplates and other parts are interchangeable within a series and must be ordered separately. Please enter each component on a separate line.

### Electric Strike Body Ordering

**Strike Series:** Choose electric strike series number.

**Fail Safe or Fail Secure:** Specify an “F” for fail safe (fail secure is standard). If product is field selectable leave blank.

**Voltage:** If product is field selectable write 12/24V. Other wise select voltage 12 or 24 VDC.

**Finishes:** Choose finish number.

**Optional Features:** This item refers to options such as latchbolt monitor, strike switches, etc.

**Example:** 1006-F-12/24-630-LBSM

### Faceplate Option Ordering

**Faceplate Series:** Choose faceplate series number.

**Faceplate Option Finish:** Choose finish number.

**Example:** KM-630

### Accessories Model Ordering

**Accessories Model:** Choose accessories.

**Example:** 2006P Plug-in Buzzer



Top Notch Distributors, Inc.

### Serving North America

**Pennsylvania**  
800-233-4210  
Fax: 800-854-4146

**Missouri**  
800-211-4607  
Fax: 800-211-4608

**Nevada**  
800-722-4210  
Fax: 800-248-3620

**Texas**  
866-693-6903  
Fax: 866-693-6904

[www.topnotch.bz](http://www.topnotch.bz) • [sales@topnotch.bz](mailto:sales@topnotch.bz)

# Notes:

---



Top Notch Distributors, Inc.

---

## Serving North America

**Pennsylvania**  
800-233-4210  
Fax: 800-854-4146

**Missouri**  
800-211-4607  
Fax: 800-211-4608

**Nevada**  
800-722-4210  
Fax: 800-248-3620

**Texas**  
866-693-6903  
Fax: 866-693-6904

[www.topnotch.bz](http://www.topnotch.bz) • [sales@topnotch.bz](mailto:sales@topnotch.bz)