

The Dor-O-Matic name carries a long-standing tradition of value and dependability. In 1997, IR acquired Dor-O-Matic and reinforced the company's operational and logistical strengths. And because we are one of the companies that comprise IR Security and Safety, Dor-O-Matic hardware can be integrated with a wide range of world-class IR products to meet your specific application requirements.

Finishes:

AL (BHMA 689) — Aluminum
DK/BRZ (BHMA 695) — Dark Bronze

Serving North America

Pennsylvania
800-233-4210
Fax: 800-854-4146

Missouri
800-211-4607
Fax: 800-211-4608

Nevada
800-722-4210
Fax: 800-248-3620

Texas
866-693-6903
Fax: 866-693-6904

Surface Closers

The SC SERIES

The Dor-O-Matic **SC** (surface Closer) **SERIES** is designed to meet the most common installation and application requirements in the commercial marketplace and, in some cases, provide an identical footprint which makes renovation and retrofit work very simple. They meet the needs of those customers who value reliable door control products, excellent service and superior logistical support. SC products meet all prevailing market standards and performance criteria.

SC SERIES Product Applications

SC Series closers are designed for renovation, retrofit and new construction projects in a wide variety of applications.

- Office buildings
- Professional offices
- Religious buildings
- Shopping centers
- Public housing
- Restaurants
- Multifamily housing
- Tenant entry doors
- Educational facilities
- Government facilities
- Assisted living facilities
- Hotel guest rooms
- Automotive centers
- Materials warehouses
- Manufacturing facilities

SC SERIES Product Benefits

Dependable Door Control

- Two separate hydraulic valves control the closing motion of the door.
- Latching force of closers can be increased by moving the pivot point of the regular arm shoe when applicable.
- The operating swing of the door is controlled with a separate adjustable backcheck function.

Easy to Install In Most Common Mounting Conditions

- Complete, ready to mount in the installer's choice of hinge side, top jamb or parallel arm configuration on either right or left-hand swinging doors.
- Provided with fasteners for wood, hollow metal and aluminum doors and frames.
- Through bolts available for installations on hollow core, 1³/₄" thick doors.
- Can be templated to allow a full 180° opening swing. (Frame and trim permitting).
- Fits the 1³/₄" face frames and narrow top rails common on many aluminum storefront doors.
- Consistent closing times over temperatures ranging from 120° F (49° C) to 10° F (-12° C).

Listings & Certifications

- **SC60, SC70** and **SC80 SERIES** closers are certified to meet the requirements of ANSI/BHMA A156.4, Grade 1.
- **SC90 SERIES** closers are certified to meet the requirements of ANSI/BHMA standards A156.4, Grade 3.
- All closers without hold-open arms have been certified by UL and ULC.
- All closers have been certified by UL10C and UBC7.2 (1997) fire test.

Serving North America

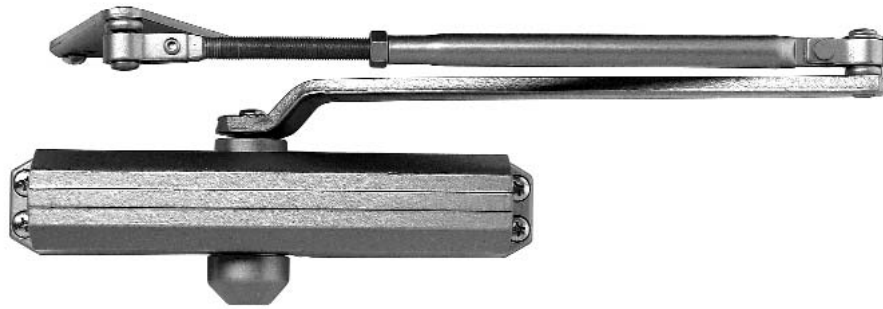
Pennsylvania
800-233-4210
Fax: 800-854-4146

Missouri
800-211-4607
Fax: 800-211-4608

Nevada
800-722-4210
Fax: 800-248-3620

Texas
866-693-6903
Fax: 866-693-6904

Surface Closers

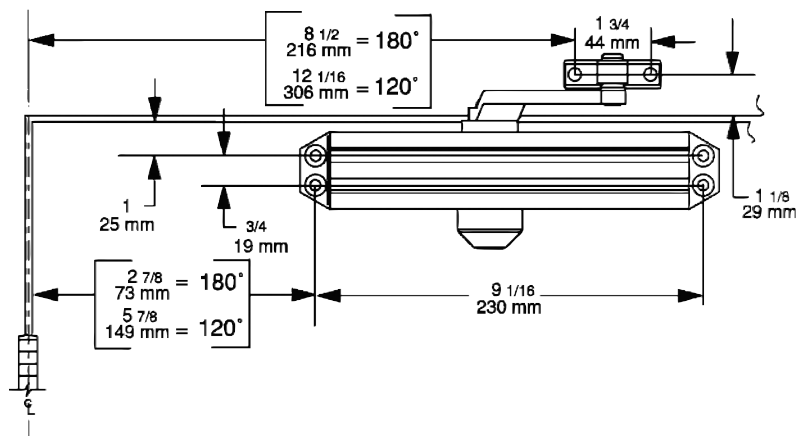


SC60 & SC61

- All closers furnished with TBWMS fastener pack.
- Closers available in ALUMINUM (689), DARK BRONZE (695).
- **SC60 SERIES** closers are certified to meet the requirements of ANSI/BHMA A156.4, Grade 1.
- **SC60** closers are suitable for interior doors from 30" to 60" wide and exterior doors up to 42" wide.
- **SC61** closer is suitable for interior doors up to 48" wide and can be adjusted to meet the ADA accessibility requirements.
- UL10C approved all weather fluid.
- Ten year warranty.

Regular Arm (Pull Side)

| For Opening to 120° | | | For Opening to 120°-180° | |
|----------------------------------|---------------------------------|-----------------------------------|---------------------------------|---------------------------------|
| A | B | C | B | C |
| 9 ¹ / ₁₆ " | 5 ⁷ / ₈ " | 12 ¹ / ₁₆ " | 3 ¹ / ₄ " | 8 ⁷ / ₈ " |



Serving North America

Pennsylvania
800-233-4210
Fax: 800-854-4146

Missouri
800-211-4607
Fax: 800-211-4608

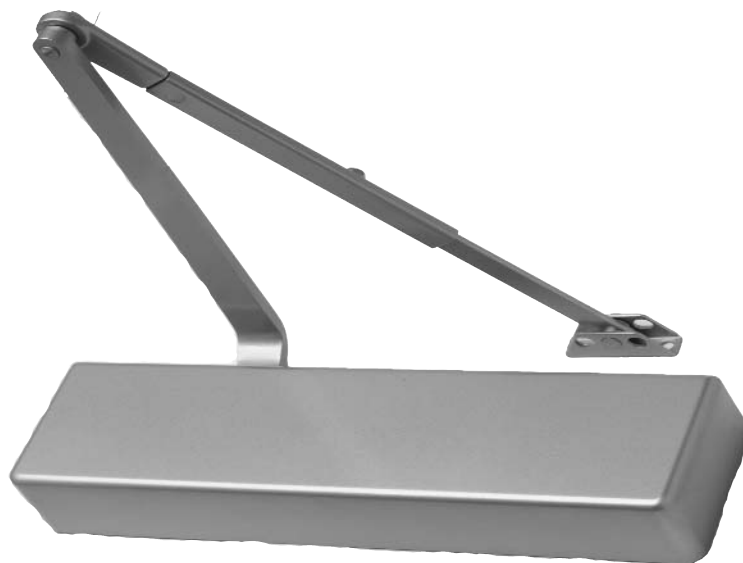
Nevada
800-722-4210
Fax: 800-248-3620

Texas
866-693-6903
Fax: 866-693-6904

Surface Closers

SC70 & SC71

- All closers furnished with TBWMS fastener pack.
- Closers available in ALUMINUM (689), DARK BRONZE (695).
- **SC70 SERIES** Narrow top rail drop plate to be used for parallel arm and heavy-duty arm mounts 13⁷/₈" x 5¹/₈".
- **SC71 SERIES** closers are certified to meet the requirements of ANSI/BHMA A156.4, Grade 1.
- UL10C approved all weather fluid.
- Ten year warranty.



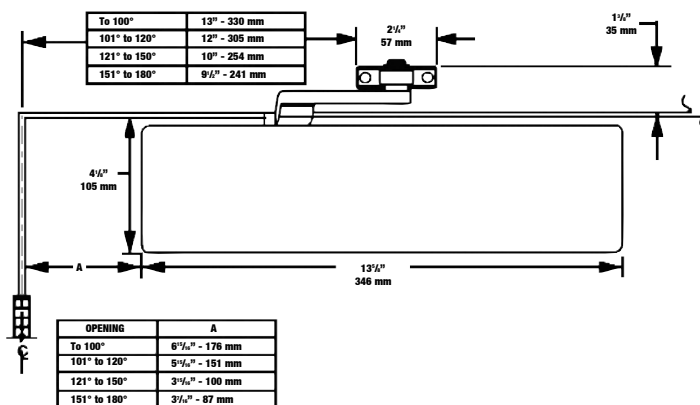
Regular Arm (Pull Side)

For Opening to 120°

| A | B |
|----------------------------------|-----|
| 6 ³ / ₁₆ " | 12" |

For Opening to 120°-180°

| A | B |
|---------------------------------|-----|
| 4 ³ / ₄ " | 10" |



Serving North America

Pennsylvania
800-233-4210
Fax: 800-854-4146

Missouri
800-211-4607
Fax: 800-211-4608

Nevada
800-722-4210
Fax: 800-248-3620

Texas
866-693-6903
Fax: 866-693-6904

Surface Closers

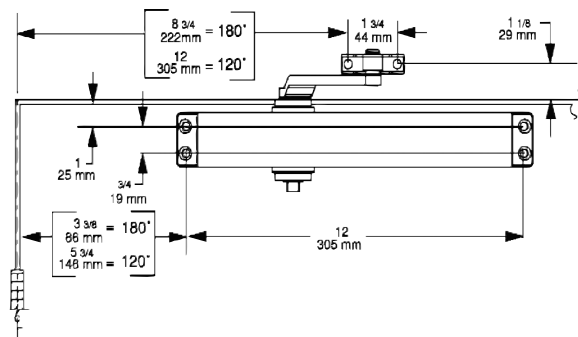


SC80 & SC81

- All closers furnished with TBWMS fastener pack.
- Closers available in ALUMINUM (689), DARK BRONZE (695).
- **SC80 SERIES** closers are certified to meet the requirements of ANSI/BHMA A156.4, Grade 1.
- **SC80 SERIES** closers are suitable for interior doors from 30" to 54" wide and exterior doors up to 42" wide.
- **SC81** closer is suitable for interior doors up to 48" wide and can be adjusted to meet the ADA accessibility requirements.
- UL10C approved all weather fluid.
- Ten year warranty.

Regular Arm (Pull Side)

| For Opening to 120° | | For Opening to 120°-180° | |
|----------------------------------|-----|---------------------------------|-----|
| A | B | A | B |
| 6 ³ / ₁₆ " | 12" | 4 ³ / ₄ " | 10" |



Serving North America

Pennsylvania
800-233-4210
Fax: 800-854-4146

Missouri
800-211-4607
Fax: 800-211-4608

Nevada
800-722-4210
Fax: 800-248-3620

Texas
866-693-6903
Fax: 866-693-6904

Surface Closers

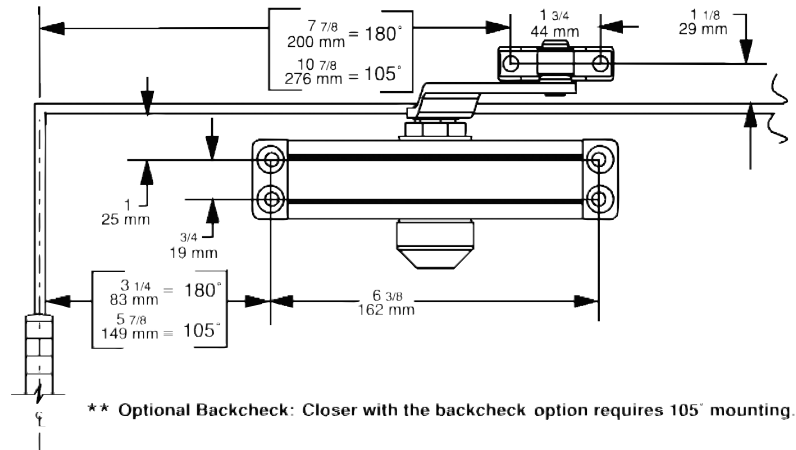
SC91 & SC94

- All closers packed with TBWMS fastener pack.
- Closers available in ALUMINUM (689), DARK BRONZE (695).
- **SC90 SERIES** closers are certified to meet the requirements of ANSI/BHMA A156.4, Grade 3.
- **SC91** closers are suitable for lightweight interior doors and are preset. They meet ADA accessibility requirements.
- **SC94** closers are suitable for interior doors from 36" to 48" wide and exterior doors to 36" wide.
- UL10C approved all weather fluid.
- Ten year warranty.



Regular Arm (Pull Side)

| For Opening to 120° | | For Opening to 120°-180° | |
|----------------------------------|-----|---------------------------------|-----|
| A | B | A | B |
| 6 ³ / ₁₆ " | 12" | 4 ³ / ₄ " | 10" |



Serving North America

Pennsylvania
800-233-4210
Fax: 800-854-4146

Missouri
800-211-4607
Fax: 800-211-4608

Nevada
800-722-4210
Fax: 800-248-3620

Texas
866-693-6903
Fax: 866-693-6904

Touchbar Panic Device



These exit devices continue Dor-O-Matic's commitment to quality and long lasting performance, with the sleek, modern touchpad design. The 1690 and 1790 come in seven popular finishes, four lengths (30", 36", 42" and 48"). Each carry a two-year warranty.

The 1690 and 1790 panic device carries the Underwriters Laboratory (UL) label and are approved for like safety. In addition, these exit devices meet the requirements of ANSI Grade 1, 2001 revisions.

The design of the 1690 is ideally suited for demanding, high-traffic applications. The vertical rods and latch mechanisms are concealed in the vertical door stile, ensuring trouble-free operation. The cover plates and end caps are constructed of cast metal to hold up to rigorous use.

The 1790 rim device is typically used in applications where maintenance is a concern. The rim device has fewer parts and pieces than current exit devices, which requires less maintenance and adjustment.

The 1690/1790 pushbar width is 2 1/2". The devices project 3" in the neutral position, and 2 1/4" in the depressed/dogged position.

Features

- Centercase provides a clear indication of direction of egress and completely covers the existing 1990 or 2090 prep.
- Metal end caps protect the device from damage caused by passing carts and equipment.
- Available in US28 Clear, DC13 Dark Bronze, DC35 Black, US3, 10, 26, 26D (centercase and endcap are powder coated black only).
- Electric latch retraction and request to exit/touchbar monitor switch options available.

| Model | Trim Package | Type | Function |
|-----------|-----------------|------|----------|
| 1690/1790 | No outside trim | 6/4 | 01 |
| 1692/1792 | Cylinder only | 6/4 | 03/04 |

Serving North America

Pennsylvania
800-233-4210
Fax: 800-854-4146

Missouri
800-211-4607
Fax: 800-211-4608

Nevada
800-722-4210
Fax: 800-248-3620

Texas
866-693-6903
Fax: 866-693-6904

Notes:



Top Notch Distributors, Inc.

Serving North America

Pennsylvania
800-233-4210
Fax: 800-854-4146

Missouri
800-211-4607
Fax: 800-211-4608

Nevada
800-722-4210
Fax: 800-248-3620

Texas
866-693-6903
Fax: 866-693-6904

www.topnotch.bz • sales@topnotch.bz