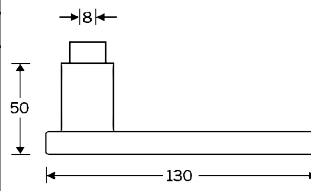

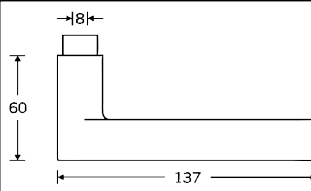

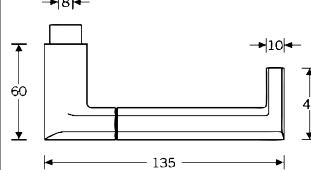

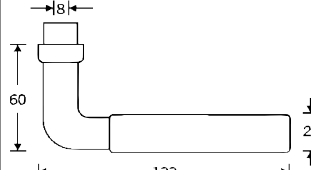

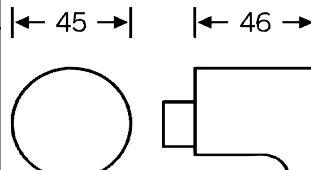

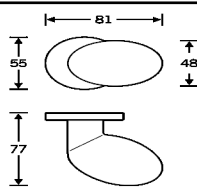
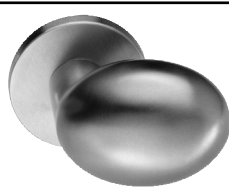


FSB has produced door hardware for over a century, and is now one of the leading International architectural hardware manufacturers. FSB has successfully combined European design with American lock technology. We offer our locksets with over thirty standard levers, in both stainless steel and anodized aluminum, reasonably priced for mid-to-large size commercial projects. FSB mortise locksets are supplied with a US manufactured, ANSI standard (Grade One) UL listed (3 Hour) mortise lock or a UL listed (3 Hour) tube latch.

When FSB receives an order, an "Order Acknowledgement" is issued to the customer or distributor which details the order and gives the expected shipment date. Acknowledgements for stock items are sent one to two business days from our receipt of the order. Orders with only stock items products ship via UPS daily, based on acknowledged ship date. FSB's goals for order delivery of stock items are outlined below. For specific lead times call FSB, or wait for the order acknowledgement. The estimates below apply only to 2³/₁₆" backset ANSI mortise locksets, European mortise locksets, and all tubular latch sets with stock levers, knobs and escutcheons.

Quantity:	Lead-Time:
0 - 20	1 - 5 days
21 - 100	2 - 4 weeks
101 - 500	4 - 6 weeks
500+	6 - 8 weeks

Note: Please understand that this is only a small presentation of FSB products. For further information, please contact a salesperson.

Lever Handles				
Model	Trim Set	Finish		
1003	RA – Hard Edge Rose 2 ³ / ₁₆ " (55 mm)	Aluminum Anodized AluGrey Stainless Steel		
1021	RA – Hard Edge Rose 2 ³ / ₁₆ " (55 mm)	Aluminum Anodized AluGrey Stainless Steel		
1088	RA – Hard Edge Rose 2 ³ / ₁₆ " (55 mm)	Aluminum Anodized		
1171	RA – Hard Edge Rose 2 ³ / ₁₆ " (55 mm)	Aluminum Anodized AluGrey Stainless Steel		
Turnable Doorknobs				
0828	ST – Standard Trim	Aluminum Stainless Steel		
Fixed Knobs				
Model	Product	Finish		
2304 05	Concealed Surface-Mounting	Aluminum Stainless Steel		



Top Notch Distributors, Inc.

East – Pennsylvania
800-233-4210
Fax 800-854-4146

Midwest – Missouri
800-211-4607
Fax 800-211-4608

Southwest – Texas
866-693-6903
Fax 866-693-6904

West – Nevada
800-722-4210
Fax 800-248-3620

Direct to Sales: 866-418-4223

www.topnotch.bz

sales@topnotch.bz

North American Trim



FSB

Roses

Model	Thickness	Finish		
1707 0401	7 mm	Aluminum AluGrey Stainless Steel Brass		
1758	7 mm Surface Mounting Only	Aluminum AluGrey Stainless Steel Bronze Brass		
Specialty Roses				
1799 0301	14 mm	Aluminum AluGrey Stainless Steel Bronze Brass		
1799 0059	14 mm	Aluminum AluGrey Stainless Steel Bronze Brass		
Escutcheon Plates				
Model	Product	Finish		
1410 9002	Thumbturn with 5 mm diamond spindle.	Aluminum AluGrey Stainless Steel Bronze		
1453 9000	Lever only.	Aluminum AluGrey Stainless Steel Bronze Brass		



Top Notch Distributors, Inc.

East - Pennsylvania
800-233-4210
Fax 800-854-4146

Midwest - Missouri
800-211-4607
Fax 800-211-4608

Southwest - Texas
866-693-6903
Fax 866-693-6904

West - Nevada
800-722-4210
Fax 800-248-3620

Direct to Sales: 866-418-4223

www.topnotch.bz

sales@topnotch.bz



FSB

North American Trim

Cylinder Rings

Model	Thickness	Finish		
1708 2601	2 ³ / ₁₆ " (55 mm) x 1/4" (7 mm)	Aluminum AluGrey Stainless Steel		
1735 2601	2 ³ / ₁₆ " (55 mm) x 1/4" (7 mm)	Aluminum AluGrey Stainless Steel		

Keyed Deadbolt Cylinder Rings

0450 9010	2 ⁹ / ₁₆ " (65 mm) x 3/4" (19 mm)	Aluminum AluGrey Stainless Steel		
0450 9013	1 ³ / ₈ " (35 mm) x 3/16" (5 mm)	Aluminum AluGrey Stainless Steel		

Thumbturn

Model	Product	Finish		
1709 7569	Soft Edge with 3/16" (5 mm) diamond spindle.	Aluminum AluGrey Stainless Steel Brass		
1744 9001	ADA Thumbturn with 3/16" (5 mm) diamond spindle.	Aluminum AluGrey Stainless Steel		

Turn and Release Set

1709 7559	Soft Edge with Indicator and Release and a 3/16" (5 mm) diamond spindle.	Aluminum AluGrey Stainless Steel Brass	 	
------------------	---	---	------	------



Top Notch Distributors, Inc.

East – Pennsylvania
800-233-4210
Fax 800-854-4146

Midwest – Missouri
800-211-4607
Fax 800-211-4608

Southwest – Texas
866-693-6903
Fax 866-693-6904

West – Nevada
800-722-4210
Fax 800-248-3620

Direct to Sales: 866-418-4223

www.topnotch.bz

sales@topnotch.bz

Notes:



Top Notch Distributors, Inc.

East – Pennsylvania
800-233-4210
Fax 800-854-4146

Midwest – Missouri
800-211-4607
Fax 800-211-4608

Southwest – Texas
866-693-6903
Fax 866-693-6904

West – Nevada
800-722-4210
Fax 800-248-3620

Direct to Sales: 866-418-4223

www.topnotch.bz

sales@topnotch.bz